

TBG

THE BRIGHT GROUP

TBG RGB LED Tower-Lights



Picture taken from TBG's Australian Show Room

TBG's premium tower-lights make use of the RGB LED technology.

TBG's Tower Lights feature:

- Chrome finish.
- Available with short or tall tiers (or a mix of both).
- Available in 1, 2 or 3 tiers.
- Available in 12VDC and 24VDC operation.
- Connector configurations customized as per requirement.
- Standard base fitting.

Benefits of use TBG's RGB LED Tower Lights:

- Longer service life, 20,000 + hours in operation.
- Low heat generation.
- Greater efficiency.
- Easier to service with fewer parts.
- No disassembly required when changing setting colour configuration. Light colour configuration set via DIP switches.
- No coloured inserts or lenses required, eliminating the need for additional components and assembly.

Colour options:

White, Blue, Red, Green, Magenta, Yellow, Cyan,



Contact TBG at

Australia Head Office

106B Derby St, Silverwater
NSW 2128, Australia

Ph: +61 2 9647 1800
Fax: +61 2 9647 2400

E-Mail: sales@brightgroup.net
Web: <http://www.brightgroup.net>

USA Office

Suite 100, 1660 Helm Dr, Las Vegas
Nevada 89119, USA

Office: +1 702 483 6638
Fax: +1 702 483 6642

TBG RGB LED Tower-Light Dimensions

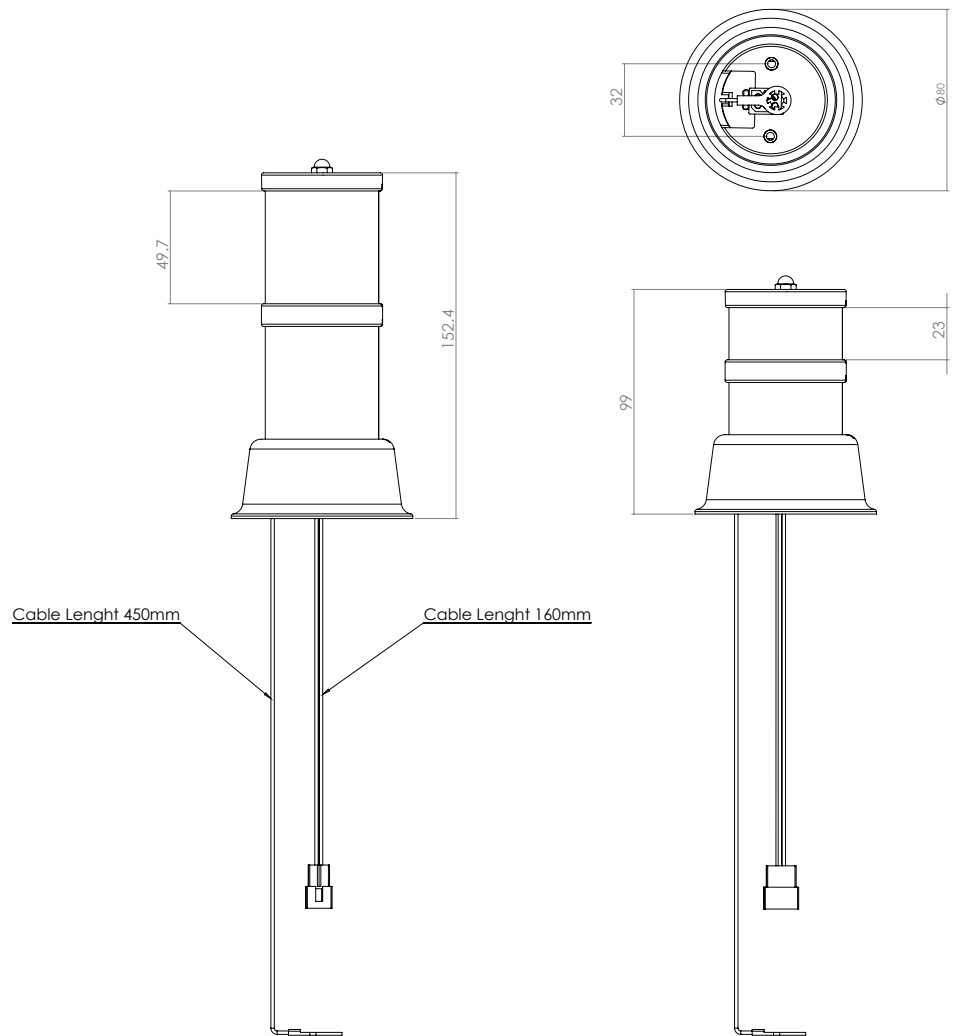


Fig 1:
TBG-TL-RGB-P022-12
2x Tall Tiers, with common Positive 12V

Fig 2:
TBG-TL-RGB-P011-12
2x Short Tiers, with common Positive 12V

**** Contact TBG for other possible options
Cable lengths and connector configuration customized as per requirement.**

Contact TBG at

Australia Head Office

106B Derby St, Silverwater
NSW 2128, Australia

Ph: +61 2 9647 1800
Fax: +61 2 9647 2400

E-Mail: sales@brightgroup.net
Web: <http://www.brightgroup.net>

USA Office

Suite 100, 1660 Helm Dr, Las Vegas
Nevada 89119, USA

Office: +1 702 483 6638
Fax: +1 702 483 6642