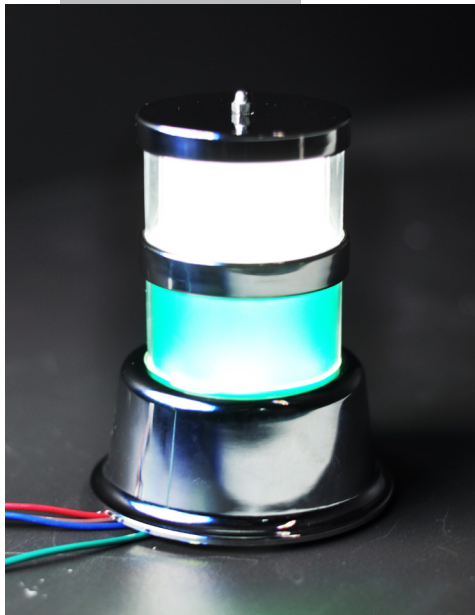


TBG

THE BRIGHT GROUP

TBG Magic LED Tower-Lights



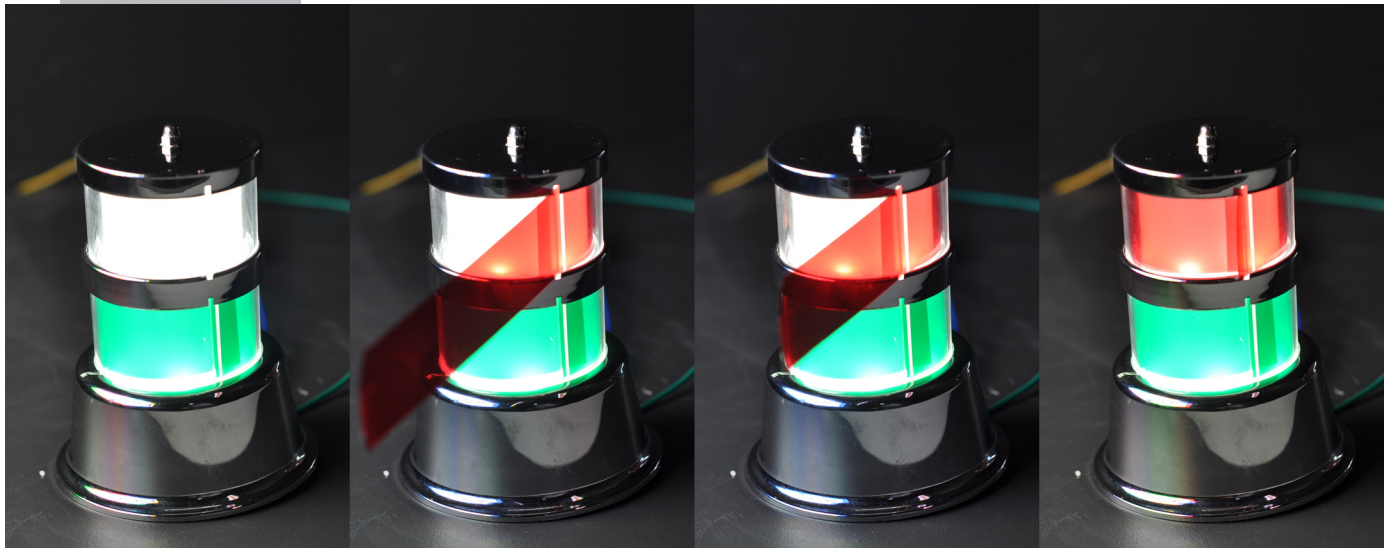
TBG's latest LED illuminated tower-lights featuring:

- Easy to set colours, no assembly required using color inserts*
- Chrome finish
- Available with short or tall tiers (or a mix of both)
- Available 1, 2 or 3 tiers
- Connector configuration customized as per requirement
- Standard base fitting
- Color inserts sold separately
- Available in 12VDC or 24VDC input
- LED illuminated for efficient and long-life operational life
- Low heat generation

****International Patent Pending***

Currently available insert colours:

Black, White, Brown, Red, Orange, Yellow, Green, Blue, Violet, Grey and Pink.



Contact TBG at

Australia Head Office

106B Derby St, Silverwater
NSW 2128, Australia

Ph: +61 2 9647 1800
Fax: +61 2 9647 2400

USA Office

Suite 100, 1660 Helm Dr, Las Vegas
Nevada 89119, USA

Office: +1 702 483 6638
Fax: +1 702 483 6642

E-Mail: sales@brightgroup.net
Web: <http://www.brightgroup.net>

TBG LED Tower Light Dimensions

Also available in 3 tiers,
Height configurations can be mixed.

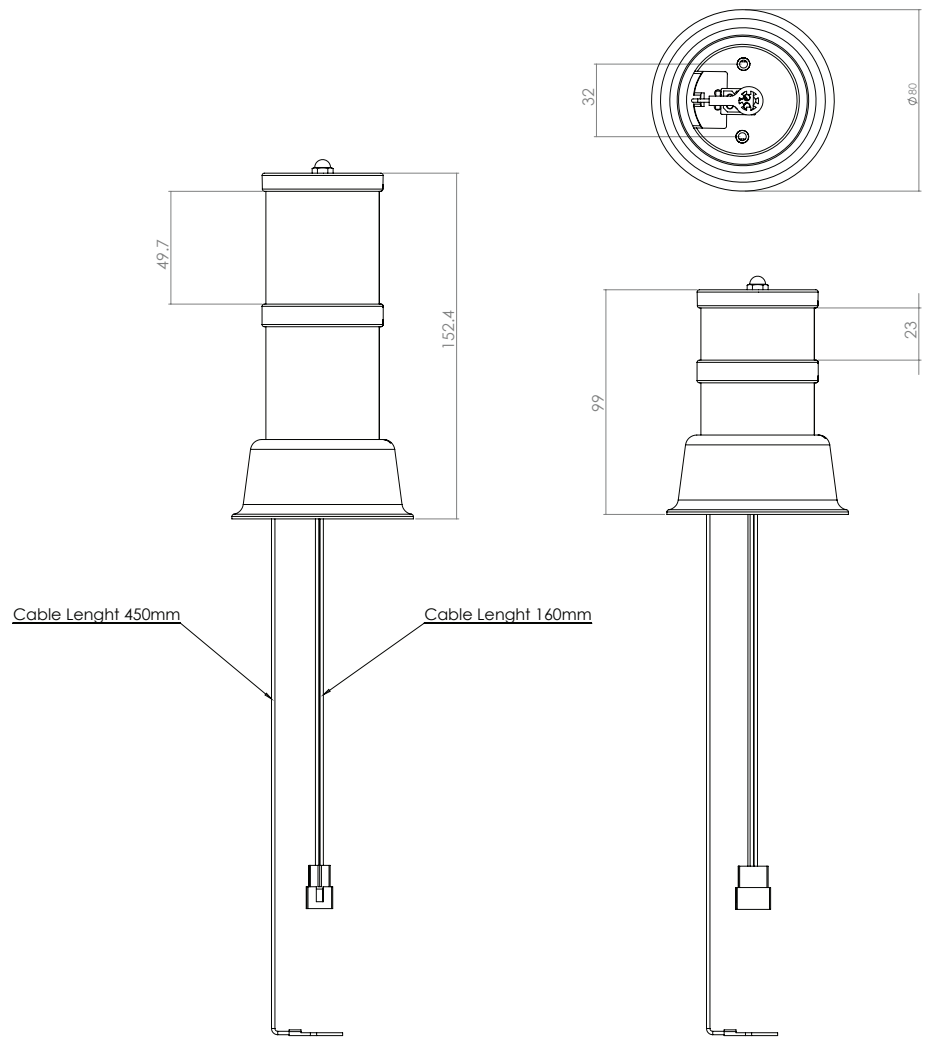


Fig 3:
TBG-TL-ELED-P022-12
2x Tall Tiers, with common Positive 12V

Fig 4:
TBG-TL-ELED-P011-12
2x Short Tiers, with common Positive 12V

** Contact TBG for other possible options

Contact TBG at

Australia Head Office

106B Derby St, Silverwater
NSW 2128, Australia

Ph: +61 2 9647 1800
Fax: +61 2 9647 2400

USA Office

Suite 100, 1660 Helm Dr, Las Vegas
Nevada 89119, USA

Office: +1 702 483 6638
Fax: +1 702 483 6642

E-Mail: sales@brightgroup.net
Web: <http://www.brightgroup.net>