

Epic 880 & 883

by TRANSACT®

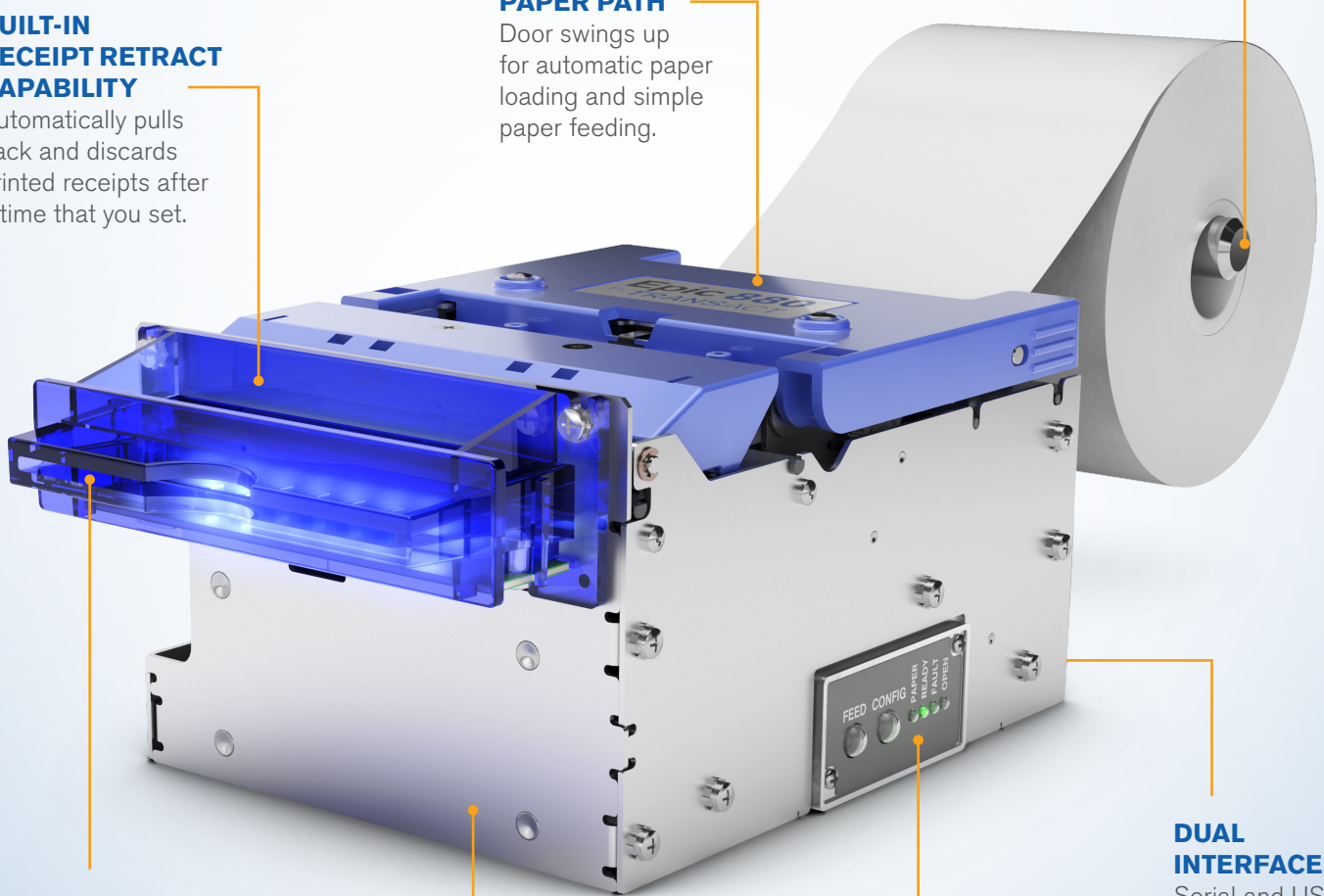
BUILT-IN RECEIPT RETRACT CAPABILITY

Automatically pulls back and discards printed receipts after a time that you set.

STRAIGHT PAPER PATH

Door swings up for automatic paper loading and simple paper feeding.

HOLDS 4" AND 6" DIAMETER PAPER ROLLS



JAM-FREE BEZEL

Ticket Burst™ technology prints and cuts receipts before presenting. Eliminates jams caused by player interference.

SMALL MODULAR DESIGN

Configurable to any space with adjustable bracket and spindle.

EASY TO ACCESS

Printer status LEDs and form feed button

DUAL INTERFACES

Serial and USB

Kiosk Printers with Small Size and Unmatched Functionality

The Epic 880 and 883 thermal roll printers are packed with features and functionality that defy their small footprint. When game or kiosk cabinet space is limited, for applications such as Amusement with Prizes (AWP), Skill with Prizes (SWP), Sports Betting and Video Lottery Terminals (VLT), the Epic 880 and 883 are the ideal choice.

SPECIFICATIONS

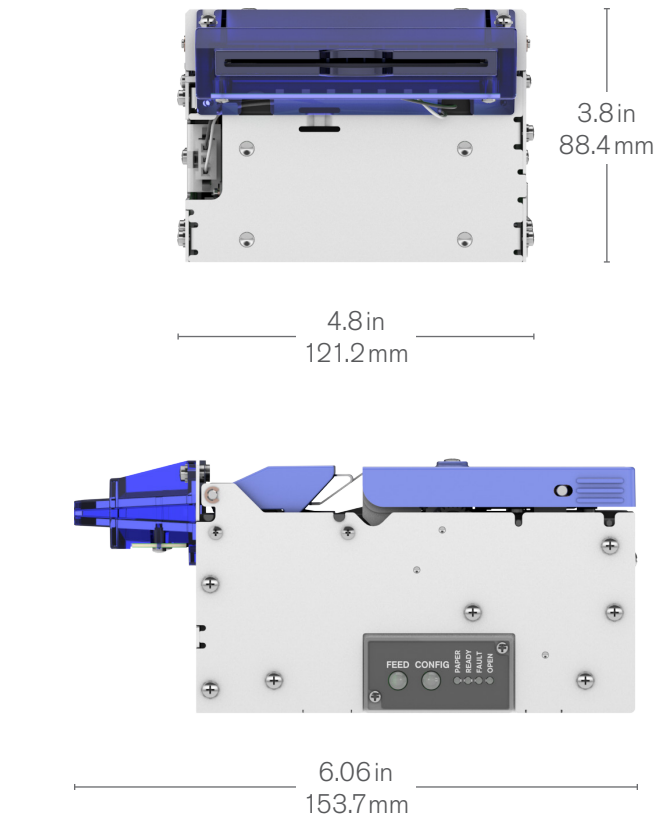
Resolution	203 DPI (Model 880) or 300 DPI (Model 883)
Print Width	3.15 in/80 mm 3.23 in/82 mm
Print Speed	6 in/152 mm per second (Model 880) 4 in/101 mm per second (Model 883)
Dimensions	4.8W x 6.06D x 3.48H (inches) 121.2W x 153.7D x 88.4H (mm)
Weight	4.7 lbs/2.1 Kg
Interface	USB & Serial (14-pin)
Power Supply	24 VDC: 3 Amps Maximum
Operating Temperature	41 to 122 °F at 10 to 90% RH 5 to 50 °C at 10 to 90% RH
Storage & Shipping Temperature	14 to 122 °F at 10 to 90% RH -10 to 50 °C at 10 to 90% RH
Print Head Life	62 miles/100 km
Bar Codes	Code 31, 93, 128, UPC-A, UPC-E, EAN-8, EAN-13, Codabar, ITF, PDF417 and Interleaved 2 of 5
Printer Drivers	Windows and OPOS printer drivers
Compliance	IEC 60950-1, CE Mark, RoHS, TUV NRTL MARK

OPTIONS

- External Universal Power Supply
- Large Core Adaptor enables use with small or large core label rolls

BENEFITS

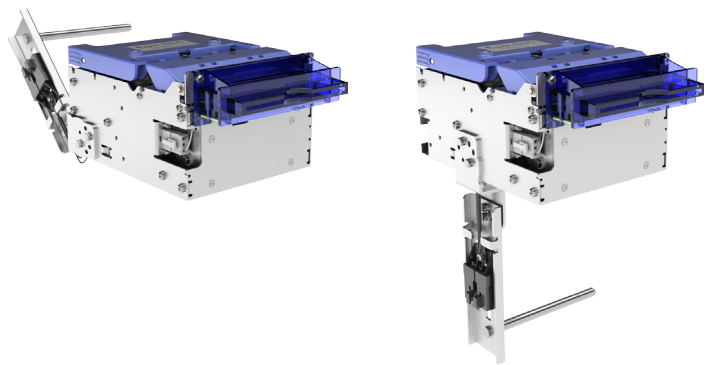
- Small modular design, configurable to any space
- Accommodates 4 inch or 6 inch (101mm or 152mm) wide rolls of paper and receipts
- Auto paper-loading



CONFIGURATION OPTIONS

Unique Paper Handling

The variable-position spindle allows paper roll to be mounted behind or below printer mechanism.



- Built-in Ticket Retract capability to discard unremoved receipts to a secure location inside the kiosk
- 300 DPI version available (Model 883) for especially fine printing of graphics